

Indexing table / Rotary unit

RDH-M



RDH-M as Indexing table
(solid shaft design)

RDH-M as Rotary unit
(hollow shaft design)



Features

- With precision transmission
 - High load capacity, rigid drive bearing
 - Absence of play and high torsional rigidity
- Reduction 1:51 or 1:101
- Stepper or servomotor
- Protection class IP 65
- Stainless design
- Transfer accuracy < 1 minute of arc
- Repeatability < ± 6 seconds of arc
- Available in solid or hollow shaft design
- No maintenance

For pin assignment see page 2-112
For transport loads see page 2-113

Ordering key

2 6 6 2 X X 0 X 0 0

Flanged shaft

- 0 = solid shaft
- 1 = hollow shaft

Transmission reduction

- 0 = 101
- 1 = 51

Motors

- 0 = Stepper motor MS 200 HAT with encoder (400 imp., 3-channel, RS422)
- 3 = brushless EC servomotor EC 60S
- 4 = brushed DC servomotor DC 100
- 5 = Stepper motor without encoder

Accessories



Chuck assembly

3-jaw chuck \varnothing 125
Part no.: **269063 2125**
* including flange



Aluminium T-slot plate

\varnothing 240 mm/PT 25
Part no.: **269050 0240**

 \varnothing 365 mm/PT 25
Part no.: **269050 0365**



Tailstock unit RE M

Part no.: **269100 2100**
(1000 mm)
Part no.: **269100 2150**
(1500 mm)
Part no.: **269100 2200**
(2000 mm)

Indexing table / Rotary unit

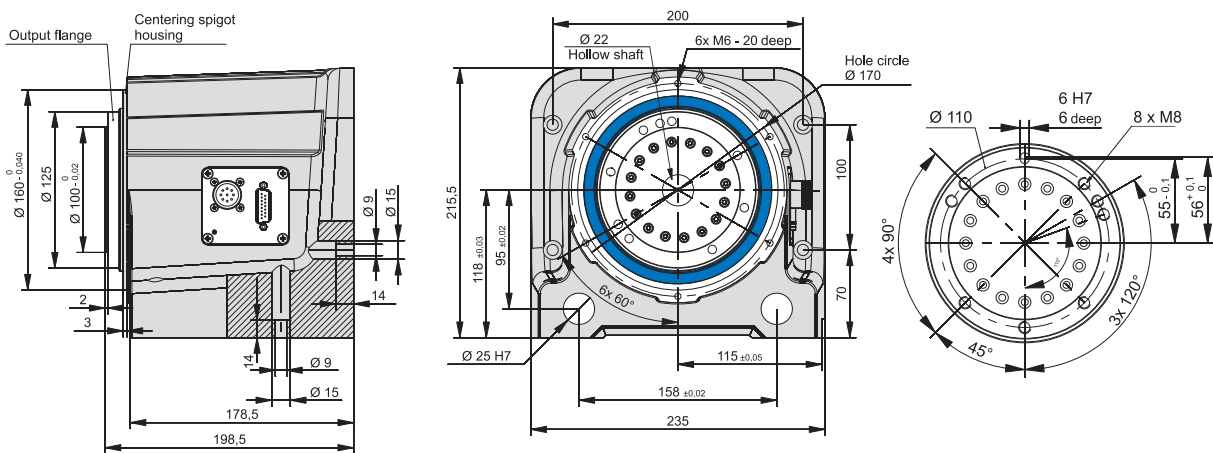
RDH-M

Technical specification

	stepper motor MS 200 HT *		EC servomotor EC 60S (brushless)		DC servo motor DC 100 (brushed)	
Reduction ratio	1:51	1:101	1:51	1:101	1:51	1:101
Nominal output speed [1/min]	4	2	22	11	22	11
Max. output speed [1/min]	at 1500 Hz (225 1/min)		at 1100 1/min			
	24	12	59	30	59	30
Nominal torque [Nm]	at 8000 Hz		--			
	24	46	9	17	7	14
Max. torque (short term) [Nm]	at 1500 Hz		--			
	--	--	42	80	39	73
Rated holding torque (static load) [Nm]	55	108	26	51	15	30
Max. transmission load [Nm]	98	157	98	157	98	157
Dynamic load factor C [N]	Limit for repeatable peak torque					
Static load factor C ₀ [N]	21800					
Weight [kg]	35800					
	13.7					

* Values for half-step operation

Dimensioned drawings



Versions	Part no.	L	A
Tailstock unit RE-M 1000 mm	269100 2100	1110	624.5
Tailstock unit RE-M 1500 mm	269100 2150	1610	1124.5
Tailstock unit RE-M 2000 mm	269100 2200	2110	1624.5

