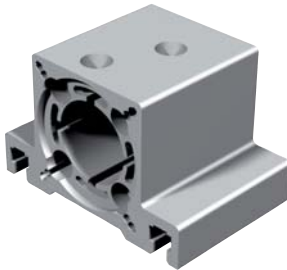


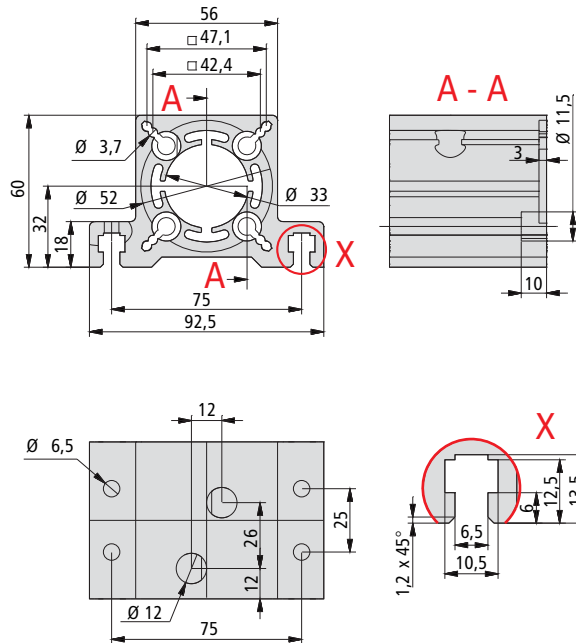
Bearing supports

Bearing support 1

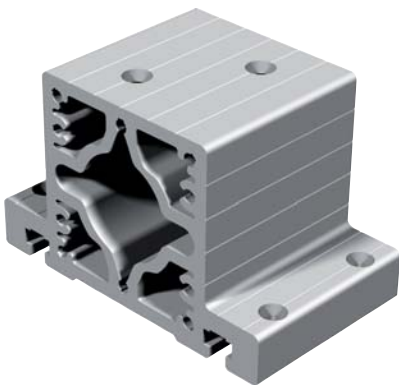


- Aluminium profile compliant with DIN EN 12020-2
- As a parallel connection between the flange bearing and motor flange
- Flat milled securing surfaces
- Version for recirculating ball spindle $\varnothing 16$ mm
- Universal securing options

Part no.: **216504 0007**



Bearing support 2



- Aluminium profile compliant with DIN EN 12020-2
- As a parallel connection between the flange bearing and motor flange
- Version for recirculating ball spindle $\varnothing 25$ mm
- Universal securing options

Part no.: **216504 0008**

