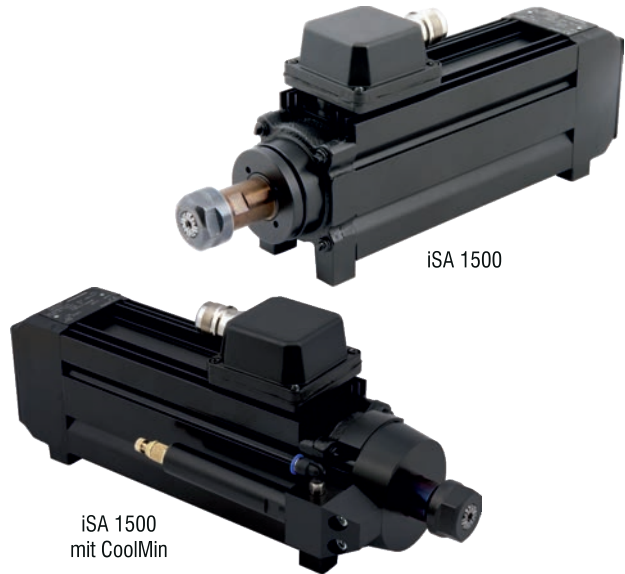


isel® -Spindle motor iSA 1500 with manual tool exchange

Characteristics

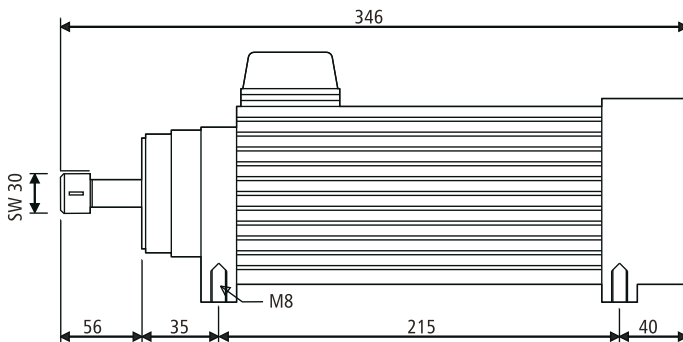
- Sturdy 2-pole three-phase motor
- Rectangle built, Protection type IP 54, insulation class F
- Cast sign A and B side
- Motor- shaft for collets type ER 20
- Nominal output 1.5 kW (S6-40% operation)
- Revolutions range 5,000 U/min. - 20,000 U/min.
- Manual tool exchange
- Connector M23
- incl. collet ER16 , Ø 6 mm
- Clamping range Ø 2 mm–Ø 13 mm
- Self-ventilating B side
- Revolution control
- Spindle bearing: **2 bearing A side (milling side)**
1 bearing B side (vent side)
- Options:
 - CoolMin® (internal and external)
 - Frequency converter
 - Different clamping tools, mounting plates, line lengths
 - Exhaust device



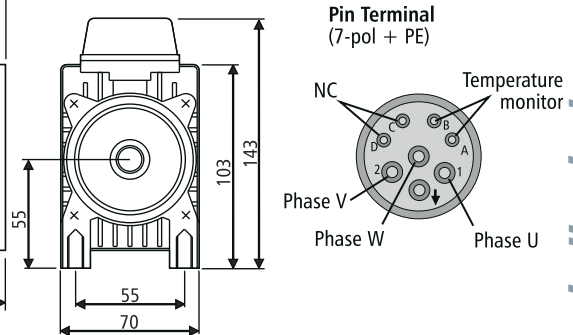
Technical Data

Description	Torque at 20.000 U/min.	Revolution range	Cut-off frequency	Number of poles	Nominal voltage	Nominal current	cos φ	S6 = 40% operation	Rotation [mm]	Weight [kg]
iSA 1500 Spindle motor	0.72 Nm	5,000 to 20,000	300 Hz	2	3 x 230 V	7.0 A	0.85	1.5 kW	0.01	6.4

Scale Drawing



Motor connection



Order data

Spindle motor iSA 1500
Item-No. **477510 3120**

iSA 1500 with converter
Item-No. **310610 3614**

iSA 1500 with CoolMin
Item-No. **477510 5120**

iSA 1500 with converter and CoolMin
Item-No. **310610 3634**

CoolMin with hose
Item-No. **239011 0119**

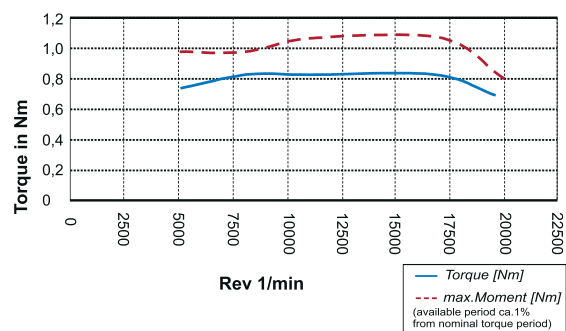
Collet-Set, type ER 16
Ø 3-10 mm
Item-No. **239171 0000**

connecting cable
Item-No. **392306 0800**

Frequency converter
Item-No. **311715 6000**

Exhaust device for tube (38mm)
Item-No. **239012 0001**

Torque-Curves



Technical specifications subject to change.