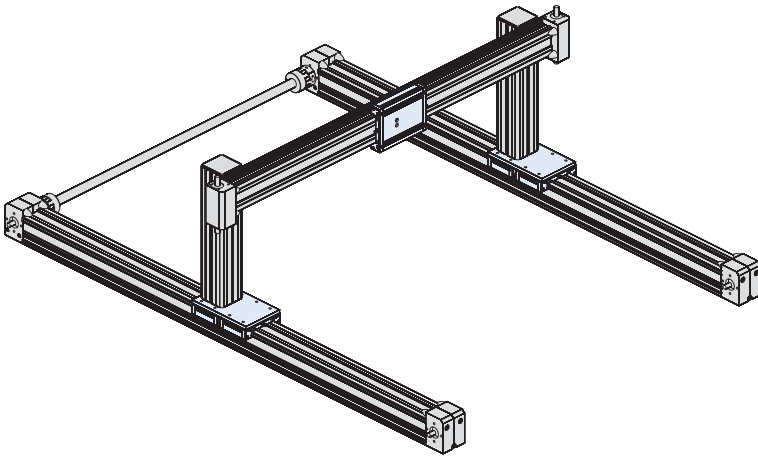
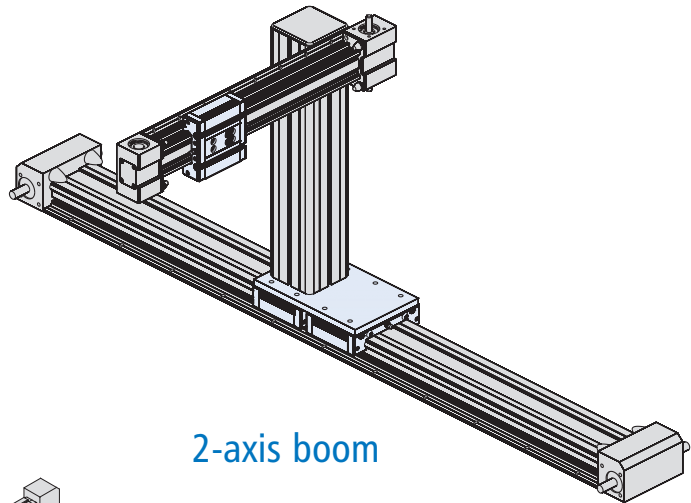


Examples in use



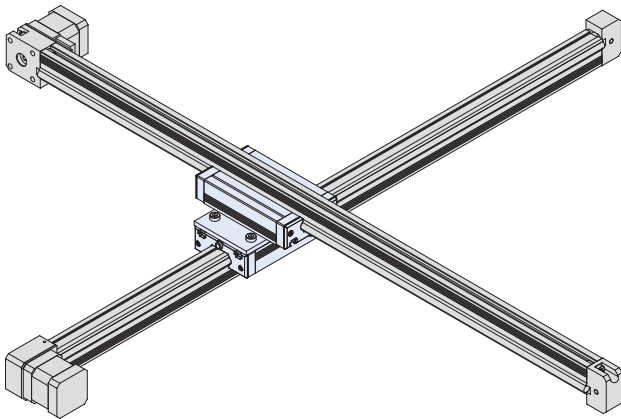
2-axis H-design

- 2 x LEZ 3
- 1 x LEZ 2
- Transmission shaft



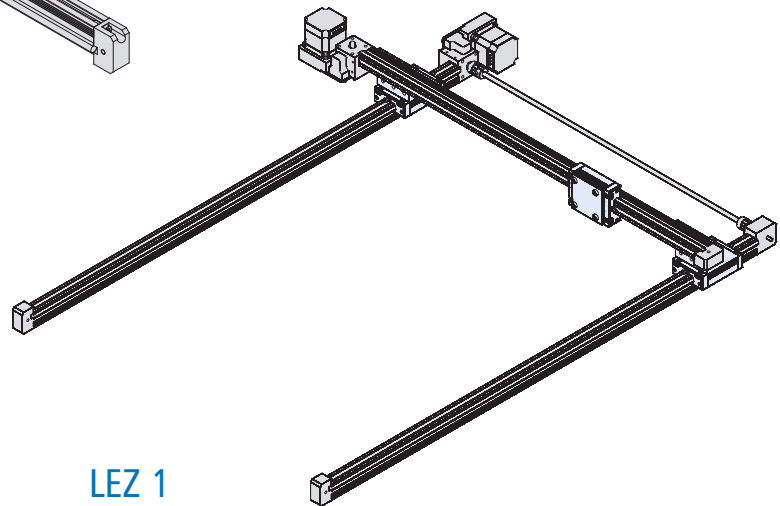
2-axis boom

- 1 x LEZ 2
- 1 x LEZ 9 (discontinued)



Crossbench LEZ 1

- 2 x LEZ 1



LEZ 1

- 2-axis flatbed configuration