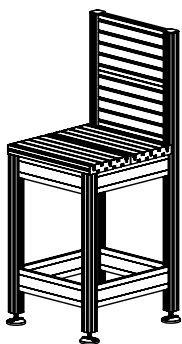
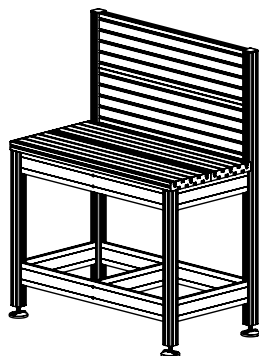


Assembly table MT2

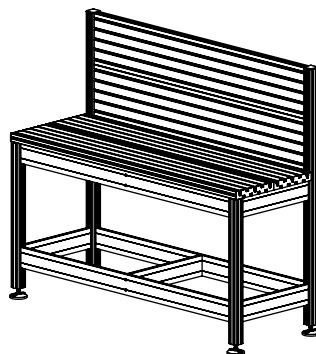
Variants with T-slotted plate



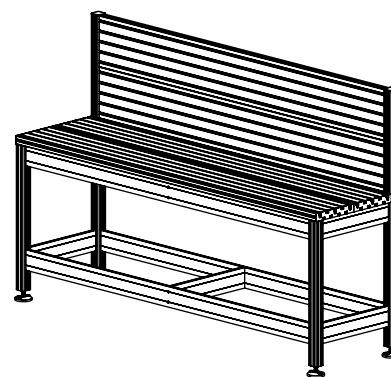
PS50 - 500



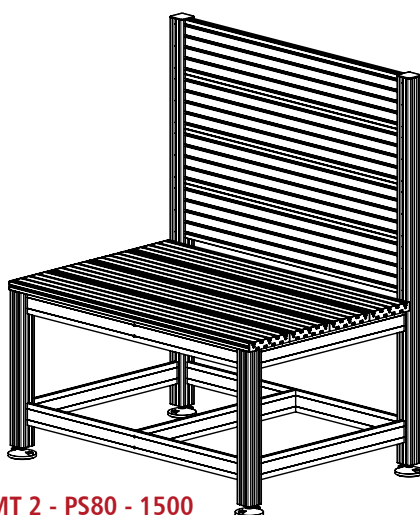
PS50 - 1000



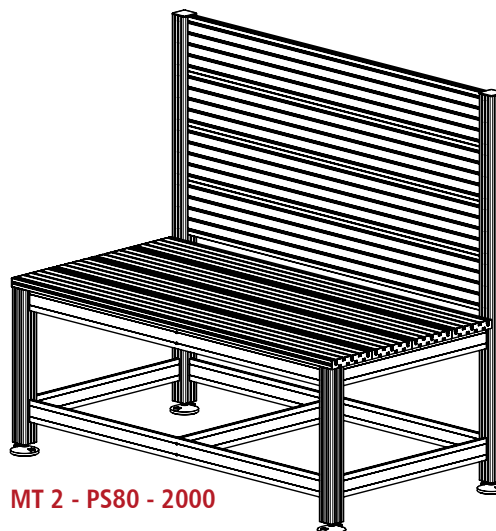
PS50 - 1500



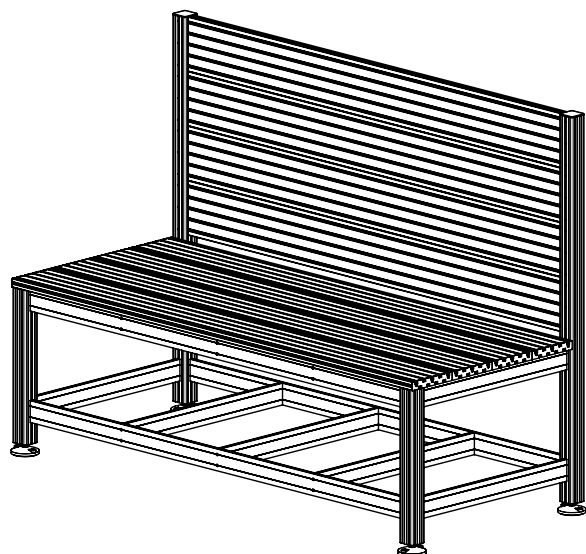
PS50 - 2000



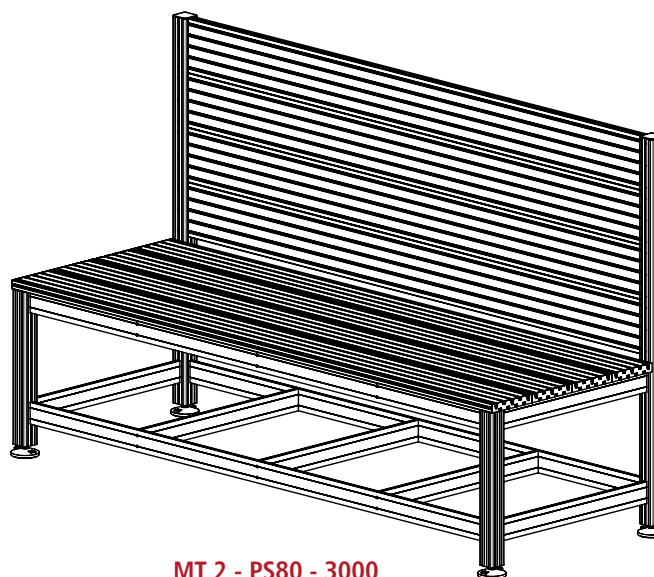
MT 2 - PS80 - 1500



MT 2 - PS80 - 2000



MT 2 - PS80 - 2500



MT 2 - PS80 - 3000