

Linear units

with toothed belt drive

LEZ 9



with shaft slide

Features

- Aluminium profile
Linear guide LFS-8-7
- no-play feed with toothed belt drive
- toothed belt with 3 mm interval
Width 15 mm
- Max. feed. 2 m/s
- Shaft slides WS 11
L 96 × W 95 mm
- Feed per turn: 60 mm
- Repeatability less than or equal to ± 0,2 mm
- inductive limit switches

Accessories can be found on page B-86.

Options:

- Special length in 100 mm raster to order

Ordering key

23201X XXXX*

Version

- 0 ... with shaft side
- 1 ... with trolley

Profile length (mm)

- 496, 996, 1496, 1996, 2496, 2996
- (e.g. 496 mm = 0050
1496 mm = 0150)

Note:

Please order drive modules separately on the listed part numbers and specify here, whether the delivery should take place with or without attachment.

Technical specification

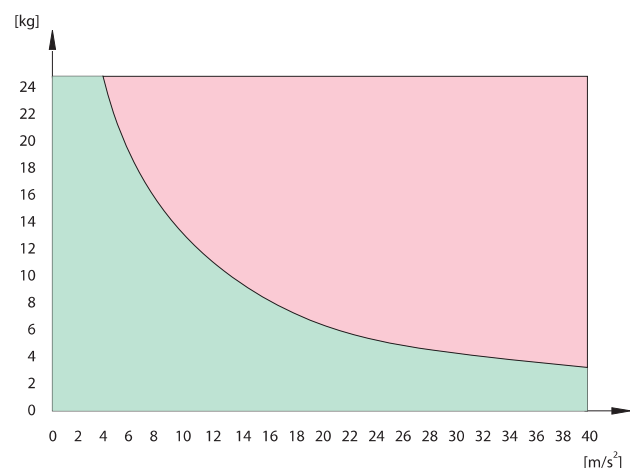
Belt type.....	HTD 3M, width 15 mm
Slide weight.....	0.4 kg
Weight without drive module.....	1000 mm = 4.4 kg
specific weight of the toothed belt.....	0.04 kg/m
specific guide weight.....	0.29 kg/100 mm
Effective diameter of the synchronous disks.....	Ø 19.1 mm
Moment of inertia of the synchronous disks.....	5.58E-6 kgm ²
Feed per turn.....	60 mm

Linear guide rail LFS-8-7

Moment of inertia I _x	29.34 cm ⁴
Moment of inertia I _y	10.86 cm ⁴
Resistance torque W _x	7.52 cm ³
Resistance torque W _y	5.68 cm ³

Load diagram

Permitted accelerated weights relative to the belt strength.*



* with vertical construction, the acceleration due to gravity (g=9.81 m/s²) must be considered

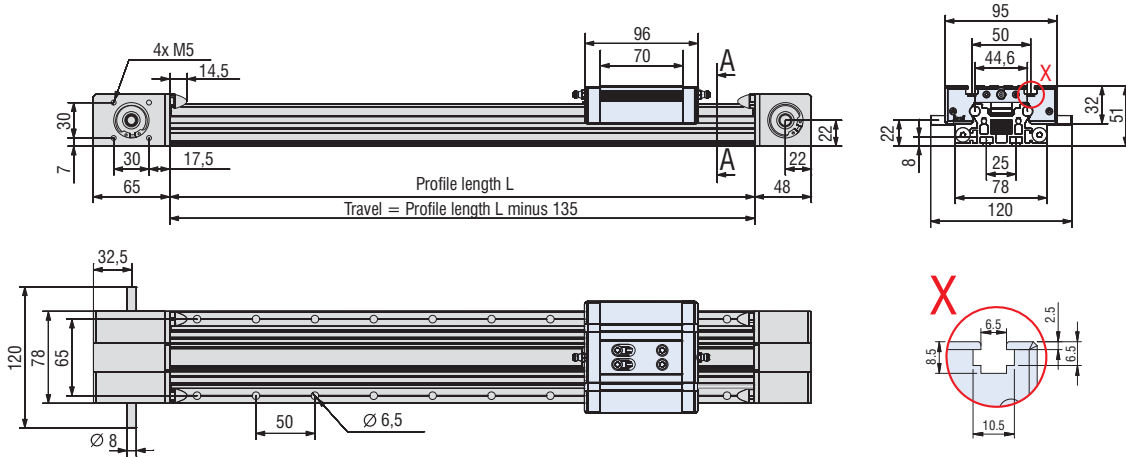
Linear units

with toothed belt drive

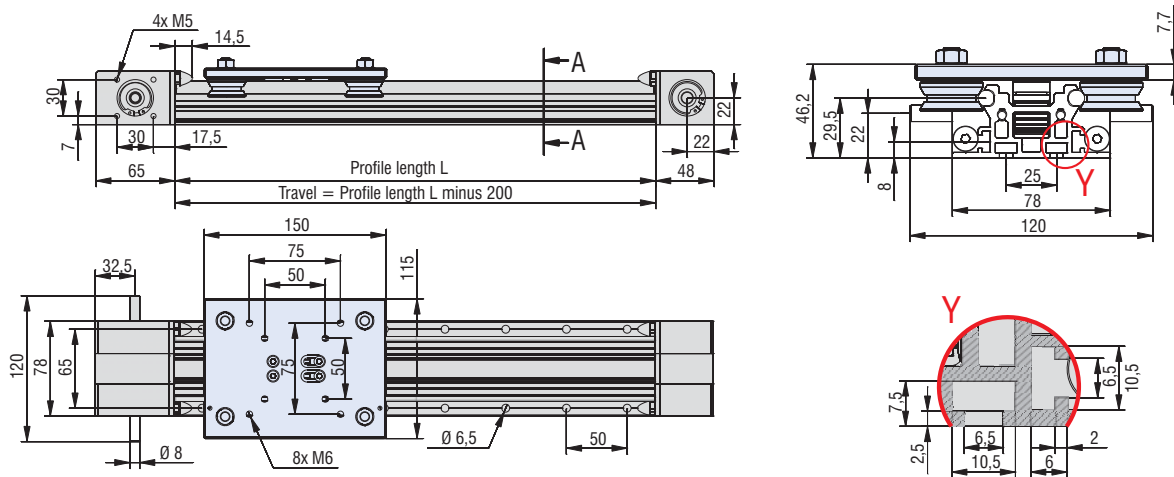
LEZ 9

Dimensioned drawings

with shaft slides



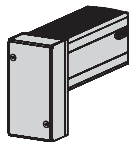
with trolley



Motor modules (Motor pin assignments are on page B-60.)

Drive module with stepper motor
MS 200 HT
(reduction 2:1)
Feed: 30 mm / turn

Part number	Motor module	
396 058 3017	MS 200 HT	right
396 058 3018	MS 200 HT	left



Drive module with servo motor DC 100
(reduction 2:1)
Feed: 30 mm / turn

Part-no: 396112 3063

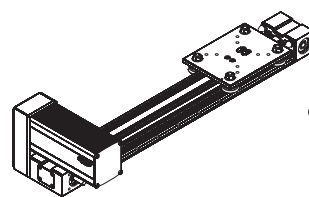
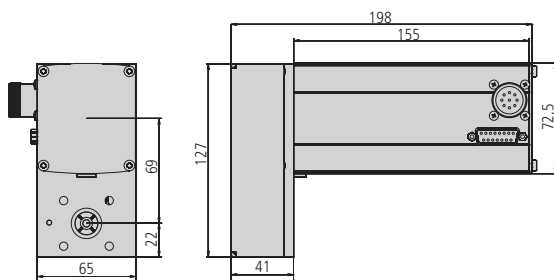
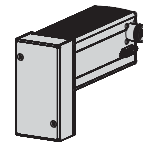


Figure:
LEZ 9 with trolley and
stepper motor MS 200 HT
left mounted

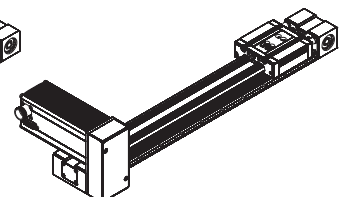
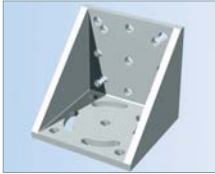


Figure:
LEZ 9 with shaft slide and
servo motor DC 100
right mounted

Accessories

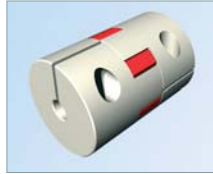
LEZ 1



Angle bracket

- for LEZ 1

Part-no.: **209110 0010**



20/30 coupling

- for LEZ 1
- 1 VE = 1 coupling

Part-no.: **218001 5081**

Shaft slides 1/70

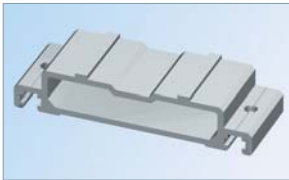
- L 96 x W 72 x H 28.5 mm
- Clamping surface plane milled, T-slide thread M6
- central greasing option, adjustable for no play
- Weight: 0.35 kg
- Option: stainless steel version

Part-no.: **223100 0070**
stainless steel: **223101 0070**

Transmission shaft

Length 1 m
Part-no.: **227008 1000**

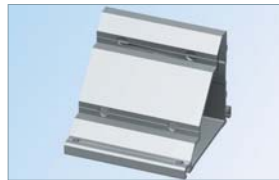
LEZ 1G Blue Line



Feet

- for LEZ 1G
- 116.5 x 40 x 22.5 mm
- 1 VE = 2 pieces

Part-no.: **232199 0001**



Mounting bracket

- including fixing material
- for LEZ 1G

Part-no.: **232199 0002**



30/40 coupling

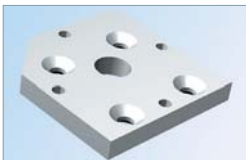
- for LEZ 1G Blue Line
- 1 VE = 1 coupling

Part-no.: **218002 8081**

Transmission shaft

Length 1 m
Part-no.: **227008 1000**

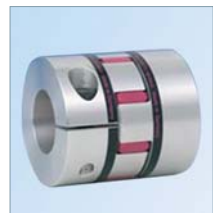
LEZ 2



Motor mounting plate

- for LEZ 2
- including fixing material
- for direct drive

Part-no.: **232199 0004**



Coupling for transmission shaft

- for LEZ 2
- 1 VE = 2 pieces couplings

Part-no.: **218050 0002**

Transmission shaft \varnothing 25 mm

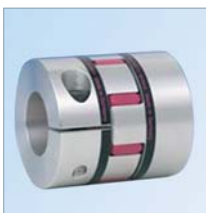
Length 1 m
Part-no.: **219001 0125**

Length 2 m
Part-no.: **219001 0225**

Vertical bearing for transmission shaft

VE 1 piece
Part.-no.: **896202 5562**

LEZ 3



Coupling for transmission shaft

- for LEZ 3
- 1 VE = 2 pieces couplings

Part-no.: **218050 0002**

Transmissions shaft \varnothing 25 mm

Length 1 m
Part-no.: **219001 0125**

Length 2 m
Part-no.: **219001 0225**

Vertical bearing for transmission shaft

VE 1 piece
Part.-no.: **896202 5562**

LEZ 9



30/40 couplings

- for LEZ 9
- 1 VE = 1 coupling

Part-no.: **218002 8081**

Shaft slide WS 11/70

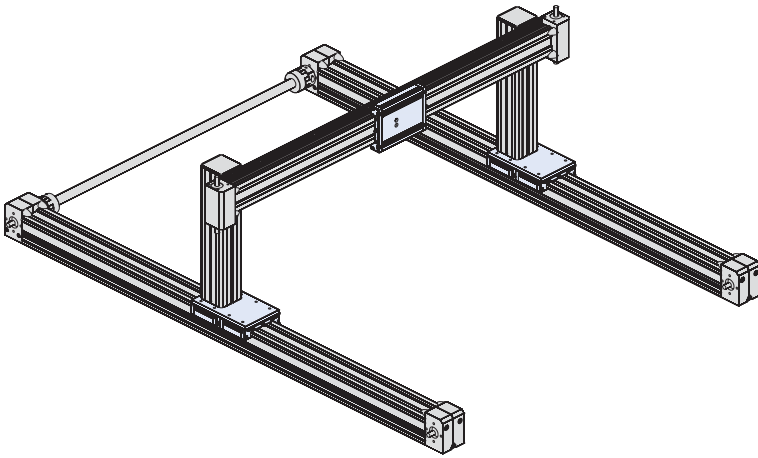
- L 96 x W 96 x H 32 mm
- Clamping surface plane milled, T-slide thread M6
- central greasing option, adjustable for no play
- Weight: 0.4 kg
- Option: stainless steel version

Part-no.: **223111 0070**
stainless steel: **223111 1070**

Transmissions shaft

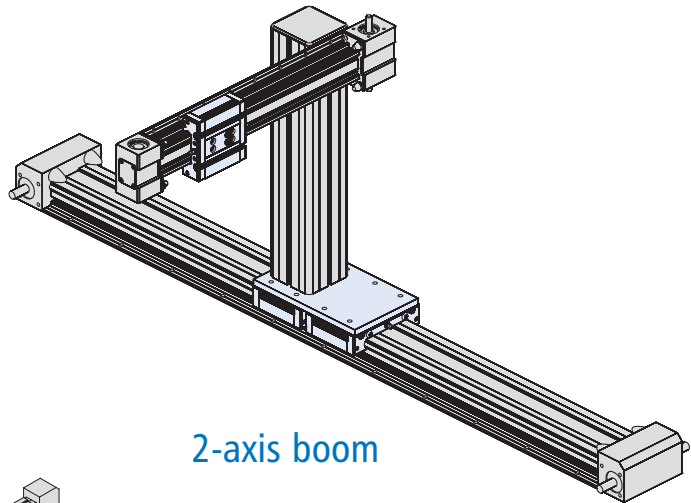
Length 1 m
Part-no.: **227008 1000**

Examples in use



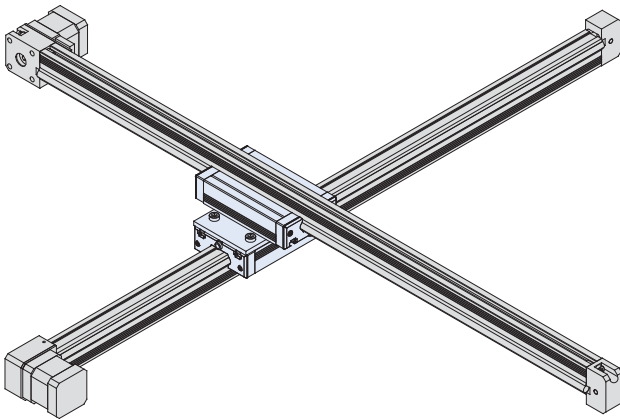
2-axis H-design

- 2 x LEZ 3
- 1 x LEZ 2
- Transmission shaft



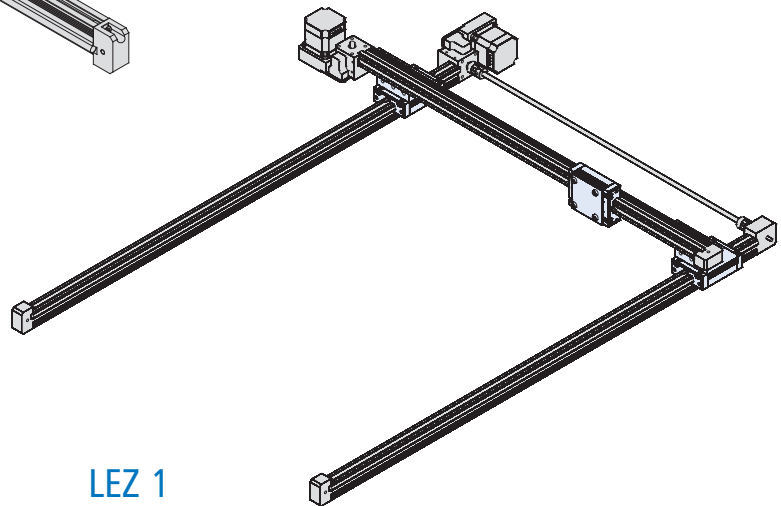
2-axis boom

- 1x LEZ 2
- 1x LEZ 9



Crossbench LEZ 1

- 2 x LEZ 1



LEZ 1

- 2-axis flatbed configuration