

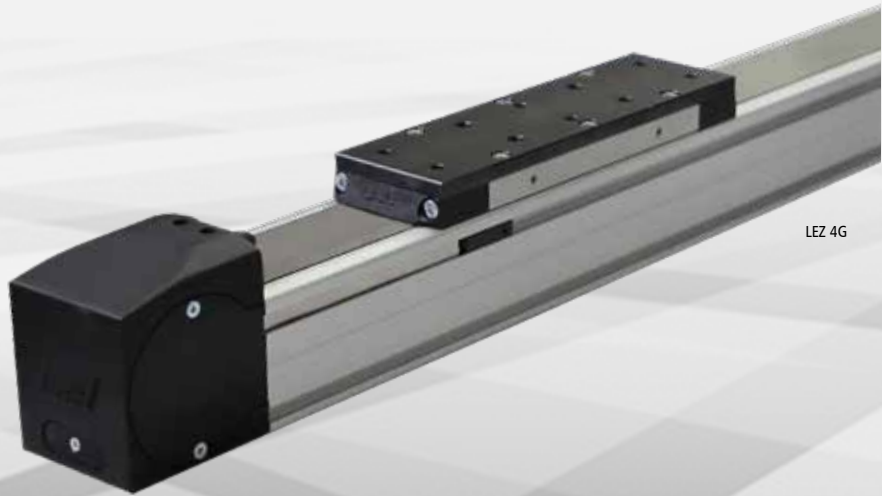


Linear unit equipped with toothed belt drive LEZ 4G

- Stainless steel cover as standard
- External limit switch sensors as standard
- Feed speed up to 5 m/sec
- Repeat accuracy +/- 0.2 mm
- Standard length up to 3 m
- Feed per revolution 90 mm
- Planetary gearbox 1:3
- Direct motor adaptation via hollow shaft
- Motor connection for flange 60 mm

Options:

- Special lengths and other reduction ratios on request



Order key

232200 XXXX

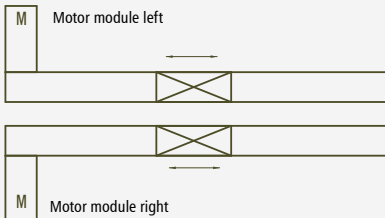
Drive block version

- 0 = without motor / without limit switch
- 1 = for motor right / with limit switch
- 2 = for motor left / with limit switch

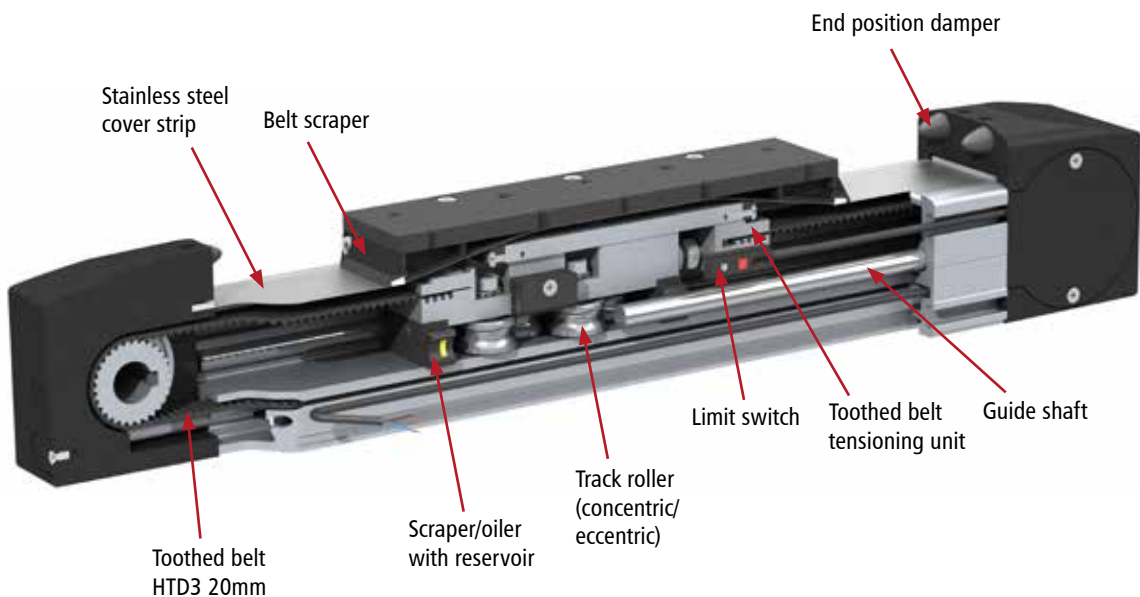
Profile lengths (mm)*

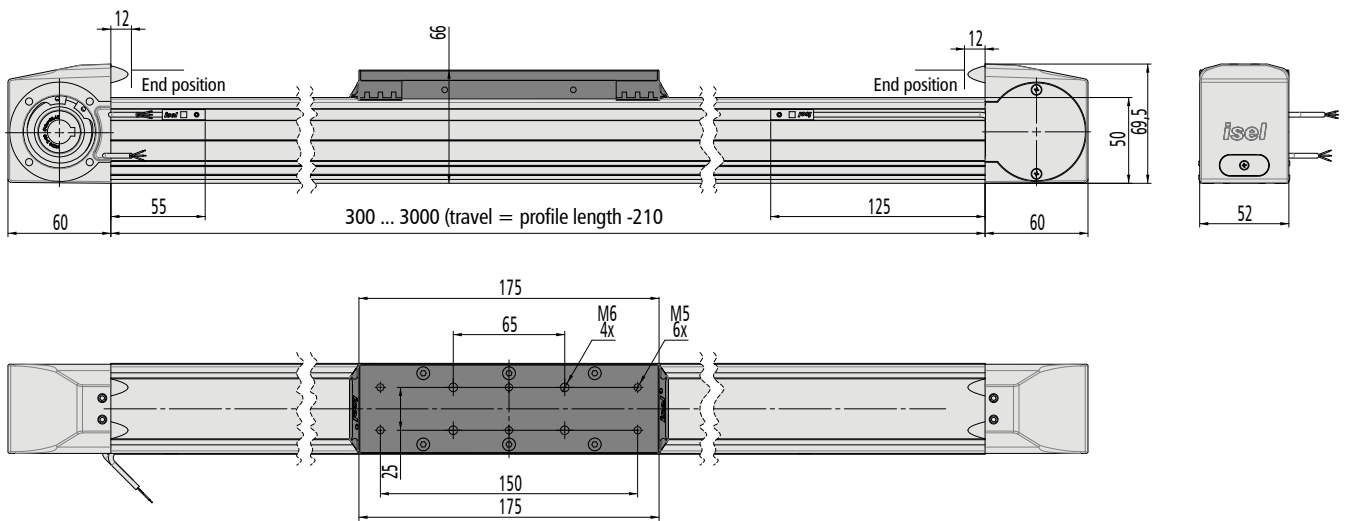
- z.B. 030 = 300 mm (min.)
- 300 = 3000 mm (max.)

*Standard profile lengths can be ordered in 100 mm increments (travel = profile length -210 mm)



Limit switch, movable

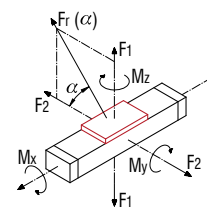




Technical data

Belt typ	HTD 3M, width 20 mm
Weight without drive module	1000 mm = 7,75 kg
Specific mass of the toothed belt	0,05 kg/m
Carriage weight	0,85 kg
Specific guide weight	0,280 kg/100 mm
Feed per revolution	90 mm
Mass moment of inertia of the synchronizing pulleys	0,00011 kgm ²

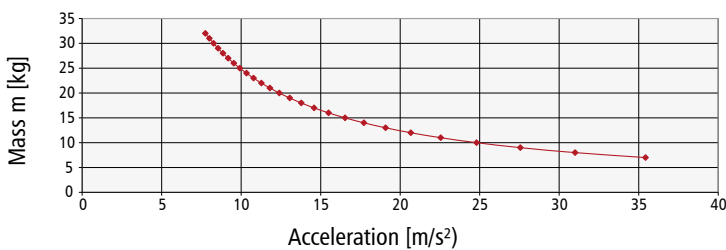
Load data



$$Fr(\alpha) = \frac{F_2}{\cos \alpha}$$

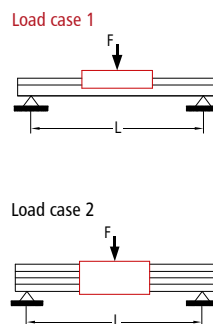
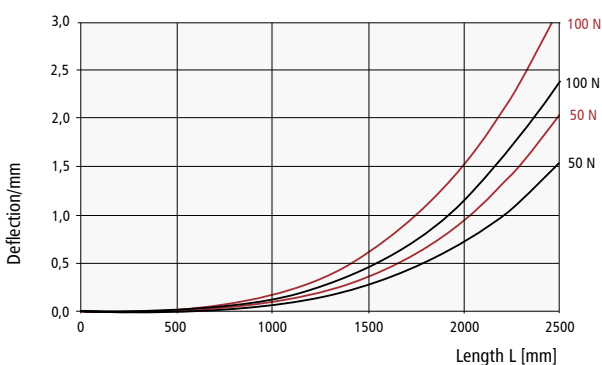
$$Fr(\alpha) = \frac{F_1}{\sin \alpha}$$

Load diagram



C _y	2800 N
C _{0y}	1488 N
C _z	1776 N
C _{0z}	1032 N
F ₁ static	200 N
F ₁ dynamic	850 N
F ₂ static	300 N
F ₂ dynamic	1400 N

Deflection

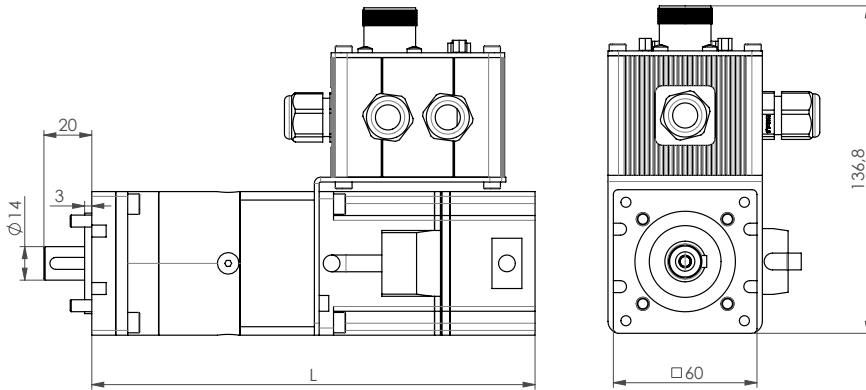


M _{0x} static	23 Nm
M _{0y} static	35 Nm
M _{0z} static	37 Nm
M _x dynamic	40 Nm
M _y dynamic	60 Nm
M _{z1} dynamic	70 Nm



Drive modules | LEZ 4G

Drive module with stepper motor and EC servo motor



Part no.	Servo motor without gearbox	L
396421 9060X	200W / 48V without brake	102
396421 9260X	200W / 48V with brake	131
396421 9070X	200W / 310V without brake	102
396421 9270X	200W / 310V with brake	131

Part no.	Servomotor with gearbox 3:1	L
396421 9062X	200W / 48V without brake	185
396421 9262X	200W / 48V with brake	214
396421 9072X	200W / 310V without brake	185
396421 9272X	200W / 310V with brake	214

Part no.	Stepper motor without gearbox	L
396058 9060	MS200HT without brake	88
396058 9260	MS200HT with brake	126

Part no.	Stepper motor with gearbox 3:1	L
396058 9061	MS200HT without brake	164
396058 9261	MS200HT with brake	202

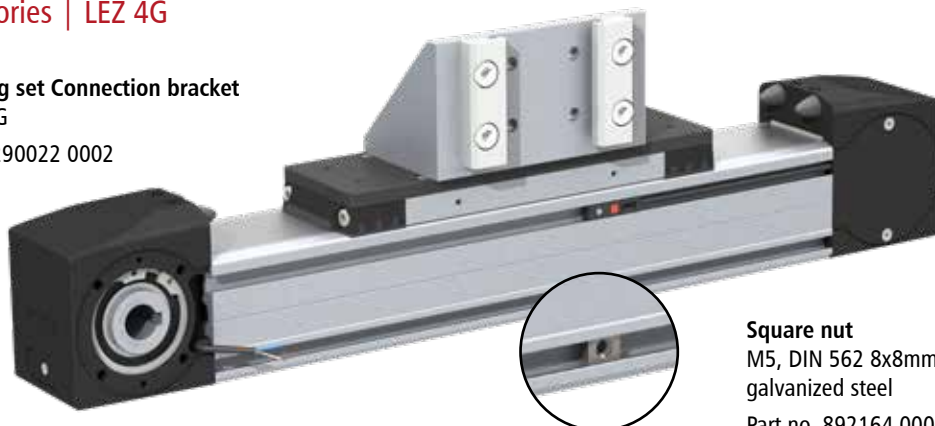
Connection flange for alternative motors



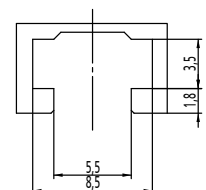
Accessories | LEZ 4G

Mounting set Connection bracket for LEZ 4G

Part no. 290022 0002



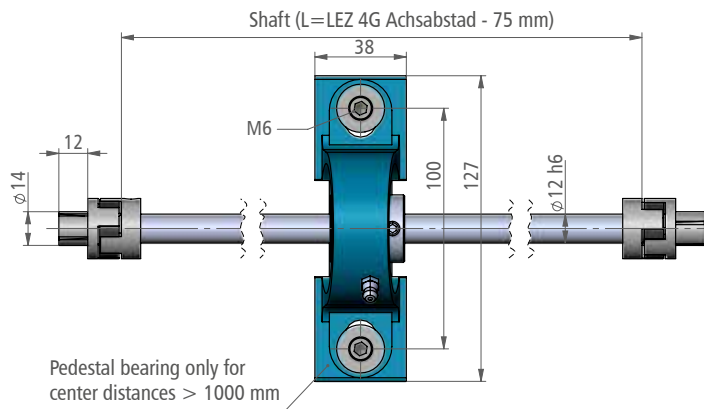
Square nut M5, DIN 562 8x8mm, galvanized steel Part no. 892164 0000





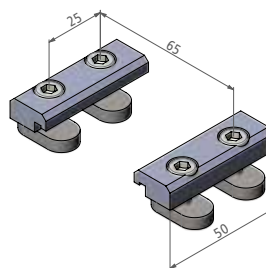
Transmission shaft

- prepared in lengths of 1 m and 2 m
-> d= 12mm
- Mechanical connection via two hollow shaft couplings included in the scope of delivery
- Center distance < 1m
Part no. 219002 1000
- Center distance > 1m
Part no. 219002 2000
(including pedestal bearing)

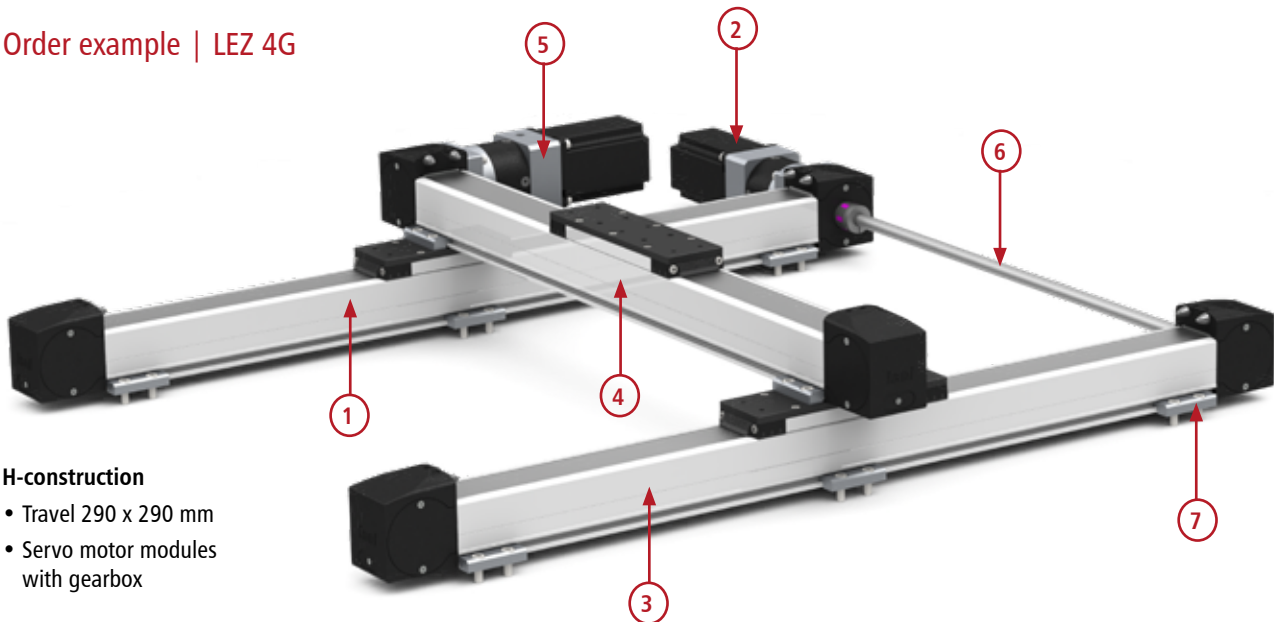


Clamping claws

- for attaching the axle to the mounting plate and for axle combinations
 - threaded holes suitably prepared for mounting an H-construction
 - PU = 10 pieces, incl. screws and sliding nuts
- Part no. 290022 0001



Order example | LEZ 4G



H-construction

- Travel 290 x 290 mm
- Servo motor modules with gearbox

1. LEZ 4G for motor right, with limit switch
Part no. 232200 1500

3. LEZ 4G without motor, without limit switch
Part no. 232200 0500

5. Servo motor module with gearbox
Part no. 396421 9062X

7. Clamping claws for LEZ 4G, PU 10 pieces
Part no. 290022 0001

2. Servo motor module with gearbox
Part no. 396421 9062X

4. LEZ 4G for motor left
Part no. 232200 2500

6. Transmission shaft < 1 m, incl. couplings
Part no. 219002 1000

Ask for your individual offer.